

Contact Details

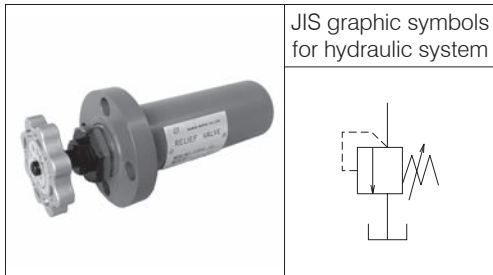
Before using the product, please check the guide pages at the front of this catalog.

Internet

<http://www.daikinpmc.com/en/>

For latest information, PDF catalogs and operation manuals

Direct Operated Relief Valve



JIS graphic symbols for hydraulic system

Features

- As the override pressure is small, this valve has almost equivalent performance to a pilot operated type.
- The vibration proof structure prevents chattering even in the high pressure range.

Nomenclature

※ - **HDRIR** - ※ **02** - ※

1 2 3 4 5

1 Applicable fluid code

No designation: Petroleum-based hydraulic fluid, water-glycol hydraulic fluid
F: Phosphate ester hydraulic fluid

2 Model No.

HDRIR: H series direct operated relief valve

3 Connections

G: Gasket mount type
T: Screw connection type

4 Nominal diameter

02: ¼

5 Pressure adjustment range

1: 0.9 to 7 MPa { 9 to 70 kgf/cm² }
3: 3.5 to 21 MPa {35 to 210 kgf/cm² }

Specifications

Model code	Nominal diameter	Pressure adjustment range MPa {kgf/cm ² }	Maximum flow rate L/min	Mass kg
HDRIR-G02-1	¼	0.9 to 7 { 9 to 70 }	12	2.6
HDRIR-G02-3		3.5 to 21 {35 to 210}		
HDRIR-T02-1		0.9 to 7 { 9 to 70 }		1.8
HDRIR-T02-3		3.5 to 21 {35 to 210}		

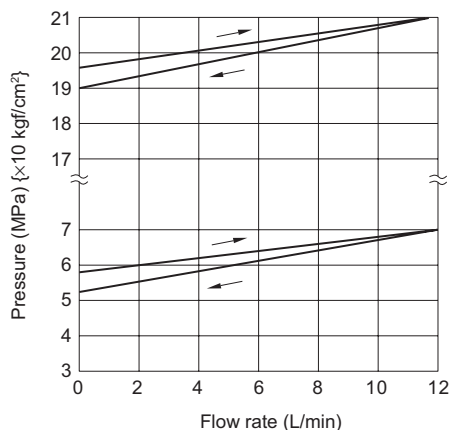
Model code	Pressure change MPa {kgf/cm ² } per handle revolution
HDRIR-※02-1	1.9 {19}/revolution
HDRIR-※02-3	5.3 {53}/revolution

Handling

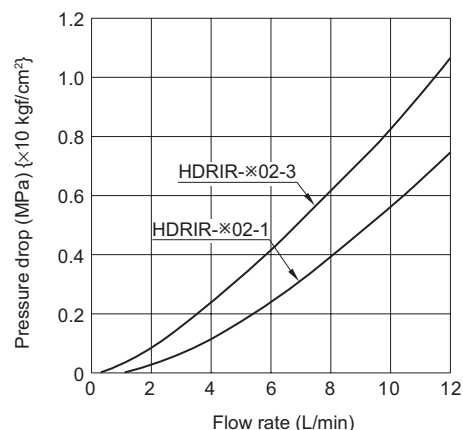
- Directly connect the tank piping of the valve to the tank without merging it with other tank piping.
- These valves can be used for remotely controlling pilot operated pressure control valves with a nominal diameter of 2 or larger. Since excessive internal volume of the pilot piping may lead to vibration, use steel pipes with an inner diameter of 4 mm maximum and with thick walls for this piping.
- The valves (gasket mount type) do not come with bolts or O-rings. To fit them to direct manifolds, use O-rings conforming to JIS B 2401 1B P18 and M10 × 30 bolts (tightening torque: 50 to 60 N • m {500 to 600 kgf • cm}).

Performance curves (viscosity: 32 mm²/s {cSt})

Flow rate - Pressure characteristics



Pressure drop characteristics (with the handle fully open)



Contact Details

Before using the product, please check the guide pages at the front of this catalog.

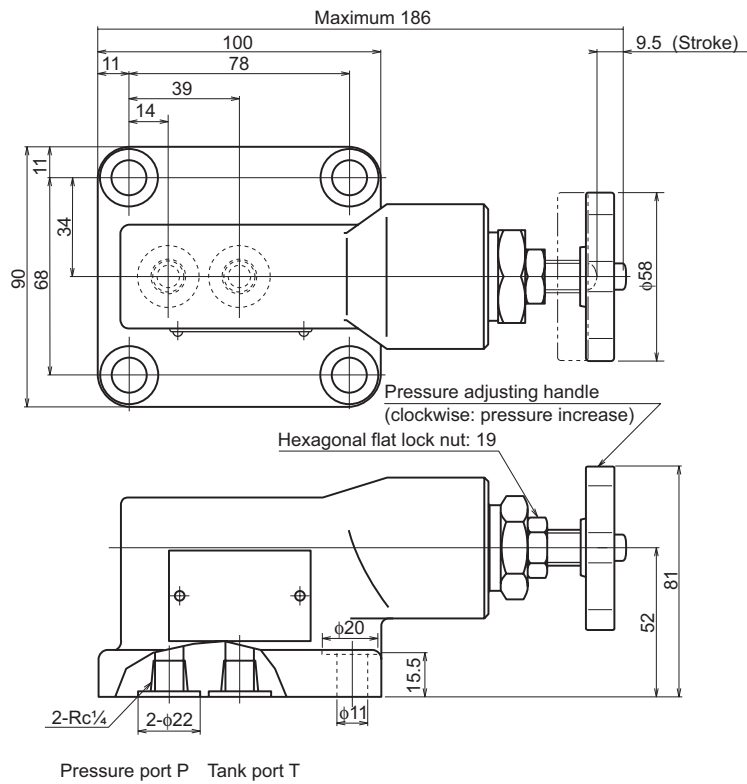
Internet

<http://www.daikinpmc.com/en/>

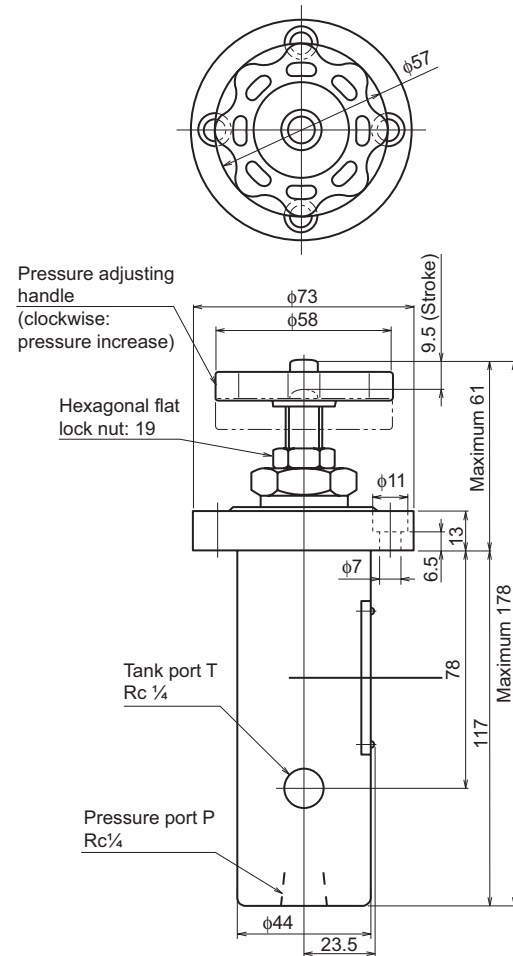
For latest information, PDF catalogs and operation manuals

External dimension diagram

HDRIR-G02

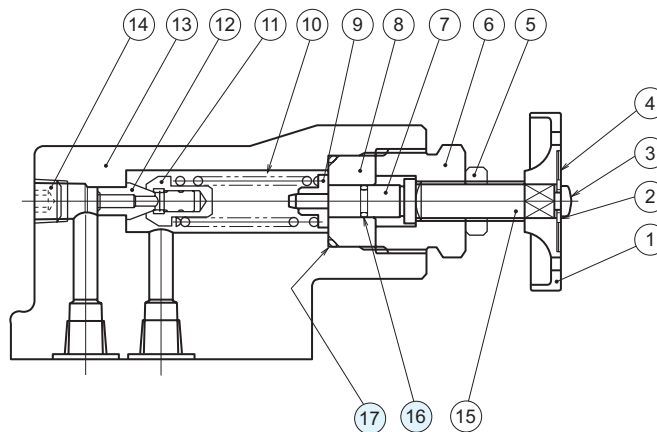


HDRIR-T02



Sectional structural diagram

HDRIR-G02



Sealing part table

Part No.	Name	Quantity	Part specifications	
			HDRIR-G02	HDRIR-T02
16	O-ring	1	JIS B 2401 1AP7	JIS B 2401 1AP7
17	O-ring	1	JIS B 2401 1AG25	JIS B 2401 1AG25